

# FUSELAGE SKIN REPAIRS TOP SURFACE, BHD2 - BHD3

## INFORMATION

- 1 This EO is raised to repair cracked skin damage to top fuselage skin, Bhd 2 - Bhd 3.

## INSTRUCTION

- 2 See Figures 1 and 2.
- 3 This repair scheme originated from CPA (R) project BCP-AC-3 EO 1280.

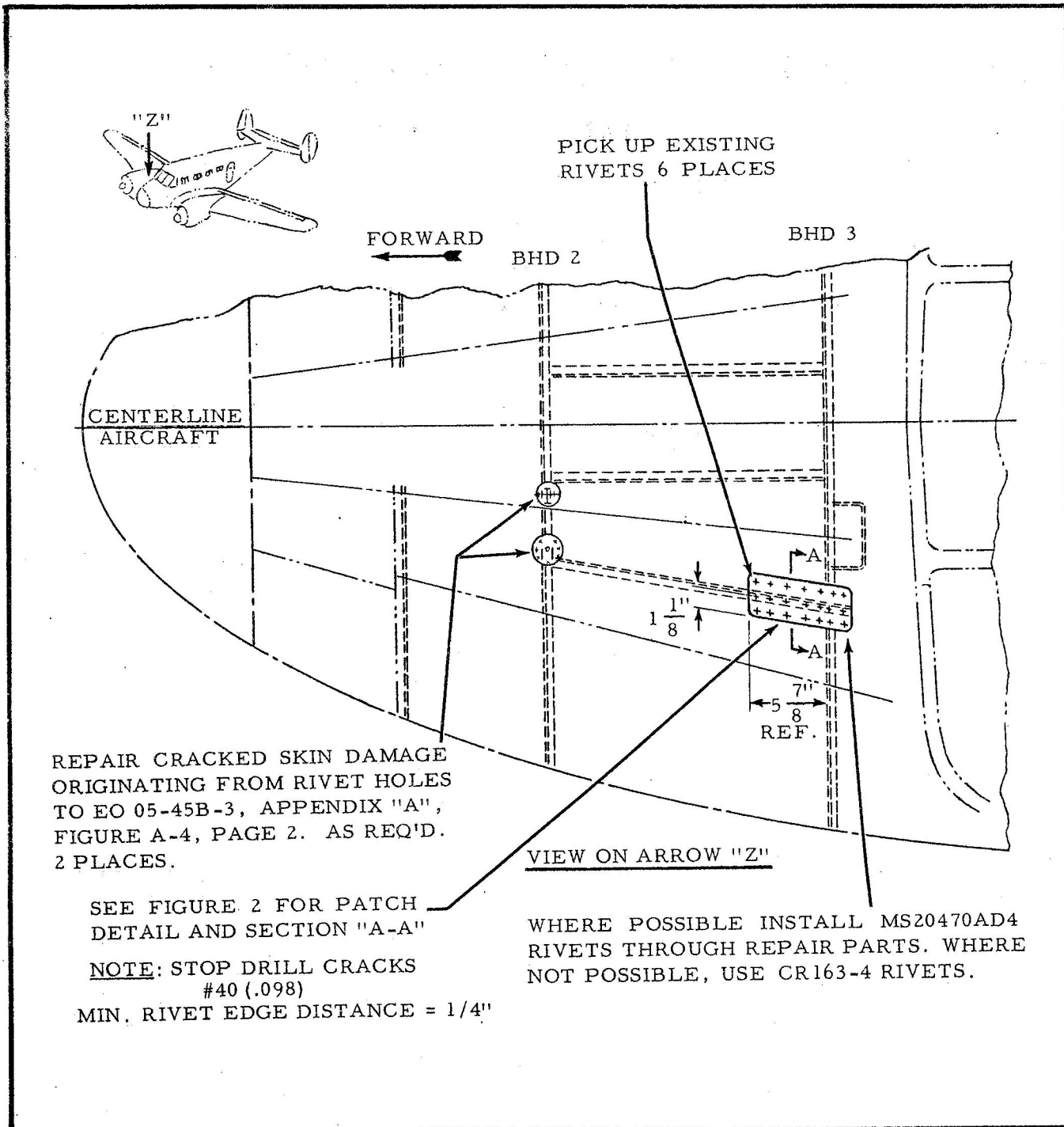
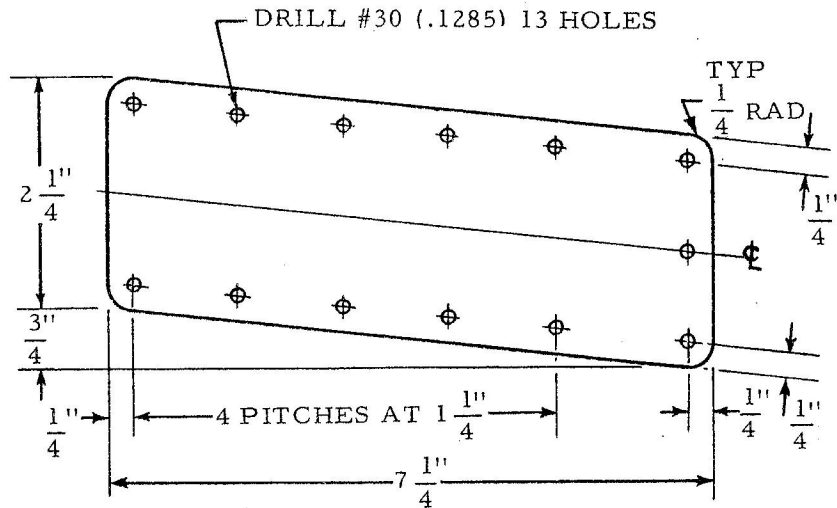
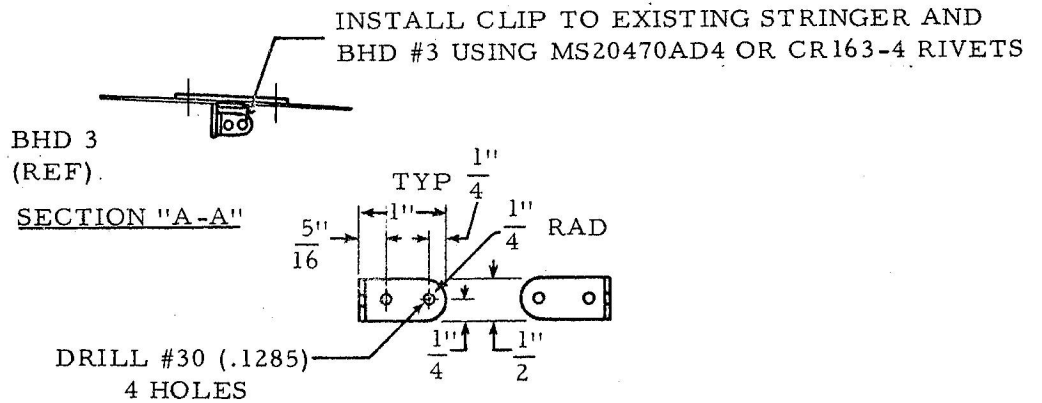


Figure 1



SKIN PATCH DETAIL 1 REQ'D.  
 MATERIAL: .032 AL/AL SHEET (2024) TO SPEC. QQ-A-362b(T3)  
 FINISH: 1 COAT ZINC CHROMATE PRIMER SPEC. 1-GP-132 TYPE 1



STRINGER CLIP DETAIL 1 REQ'D.  
 MATERIAL: .032 AL/AL SHEET (2024) TO SPEC. QQ-A-362b(T3)  
 FINISH: 1 COAT OF ZINC CHROMATE PRIMER SPEC. 1-GP-132 TYPE 1

Figure 2

